

QPD2-5700-5900-30-S

2-Way, 5.7~5.9GHz

Features:

- * Small Size
- * Low Insertion Loss

Applications:

- * Amplifiers
- * Mixers
- * Antennas
- * Laboratory Test

Electrical

Frequency:	5.7~5.9GHz
Insertion Loss:	0.4dB max.
Input VSWR:	1.2 max.
Output VSWR:	1.2 max.
Isolation:	22dB min.
Amplitude Balance:	±0.2dB
Phase Balance:	±2°
Impedance:	50Ω
Average Power:	30W max. 1W max. as combiner

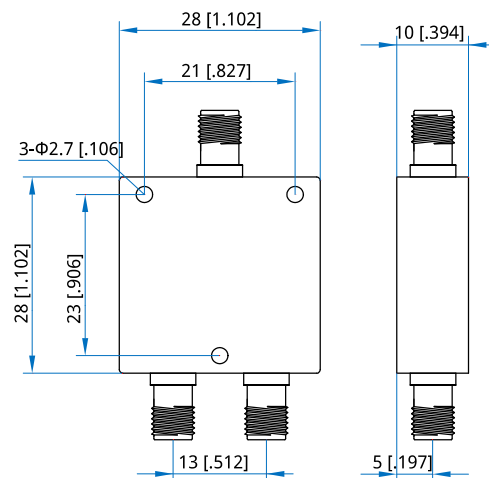
Mechanical

Size*1:	28*28*10mm 1.102*1.102*0.394in
Weight:	21g
Connectors:	SMA Female
Mounting:	3-Φ2.7mm through-hole

[1] Exclude connectors.

Environmental

Operation Temperature:	-45~+85°C
------------------------	-----------

Outline Drawings


Unit: mm [in]

Tolerance: ±0.5mm [±0.02in]

How To Order

QPD2-5700-5900-30-S

Customization is available upon request.